



Spiral lock



CONNECTINGS





SYMBOLS AND FINISHES LEGEND

SYMBOLS



= SHELF SAFELY LOCKED DURING TRANSPORTATION AND AT HOME.



= ANTI-TURNOVER LOCKING SYSTEM



= NORMS / PATENTS



= PHILLIPS / POZIDRIV



= WITH BUFFER



= PART NO.



= BLADE SLOT



= WITH MAGNET



= PCS. PER PACKAGE



= COMBI SLOT



= HEXAGONAL SOCKET



= NEWTON



= CAPACITY LOADING



= HEXALOBULAR SOCKET



= FRICTION



= WOOD / GLASS THICKNESS



= COUNTERSUNK HEAD



= AUTOMATIC



= HOLE DIAMETER



= PAN HEAD



= DROP DOWN



= DIAMETER



= FLANGE HEAD



= LENGTH



= FLAT HEAD



= STANDARD HINGE



= HEIGHT



= TRILOBULAR SCREW



= KIMANA HINGE



= RIGHT VERSION



= SELF-TAPPING SCREW



= FLAP HINGE



= LEFT VERSION



= EURO THREAD



= WITH SPRING



= SETTING CODE



= METRIC THREAD



= WITHOUT SPRING



= PCS. PER PAD



= PRE-INSERTED SCREW



= REVERSED SPRING



= CUT ON REQUEST



= PRE-INSERTED SCREW AND SPREADING BUSH



= SELF ADHESIVE



= WITH FLANGE

NOTE: Printing errors and omissions may exist despite our best efforts to ensure accuracy. We reserve the right to alter specifications without notice.

MATERIALS

ZA = Zinc Alloy

ST = Steel

HSS = High Speed Steel

BR = Brass

ABS = Acrylonitrile Butadiene Styrene

ZAnk = Nickel-plated Zinc Alloy

STzk = Zinc-plated Steel

AL = Aluminium

WD = Wood

EVA = Ethylene Vinyl Acetate

EP = **ENGINEERING PLASTIC**

+ **EP** = other engineering plastic available on request

SR = **SOFT RUBBER**

+ **SR** = other soft rubber available on request

EPn = Natural Engineering Plastic

EPc = Clear Engineering Plastic

SRn = Natural Soft Rubber

EPw = White Engineering Plastic

EPg = Grey Engineering Plastic

SRw = White Soft Rubber

EPwg = Water Green Engineering Plastic

EPa = Anthracite Engineering Plastic

SRb = Black Soft Rubber



FINISHES



+ **OTHER FINISHES AVAILABLE ON REQUEST**

PART NO.	FINISHES	PART NO.	FINISHES	PART NO.	FINISHES
00	Insignificant finish	IF	Middle Grey	RO	Red
AA	Natural	IJ	Light Grey	UT	T-Met 9007
AB	White	IL	Grey 20	UZ	T-Met
AE	White 9010	IN	Grey met. 26	WA	Bronzed
EA	Black	JB	Bright Aluminium	WI	Burnished
EC	Matt Black	JC	Aluminium - Chrome	XD	Satin-finished Steel
EE	Anthracite	JD	Matt Aluminium	YA	Nickel-plated
EW	Grey 9007	JE	Satin-finished Aluminium	YB	Bright Nickel-plated
FU	Gunmetal	JF	Aluminium - Brass	YC	Matt Nickel-plated
FV	Gunmetal V52	JG	Aluminium 5	YD	Satin-finished Nickel-plated
GR	Raw	JL	Aluminium PE 11	YQ	Black Nickel
HA	Brass-Plated	JM	Aluminium RAL 9006	Z9	Black Zinc
HH	Tropicalized	KA	Chrome	ZA	Zinc alloy
HL	Raw Brass	KB	Bright Chrome	ZN	Zinc-plated
HX	Graphite	KC	Matt Chrome	ZQ	Bright Gold
IA	Grey	LD	Brown 8019	ZY	Titanium
IB	Metallic Grey	NN	Metallic Beige	ZZ	Clear

SPIRAL LOCK

SPIRAL LOCK is a strong connecting fitting with a very long fastening travel, especially conceived to join bed sides and panels.

Consisting of a threaded M8 dowel and of a cylindric joint, SPIRAL LOCK guarantees a strong fastening function without damaging the housing into the panel. This is made possible by the particular plastic cap which features the cylindric joint, thus maximising the resistance. An inner anti-rotating device guarantees the steadiness of the joint and therefore its extremely long efficiency.

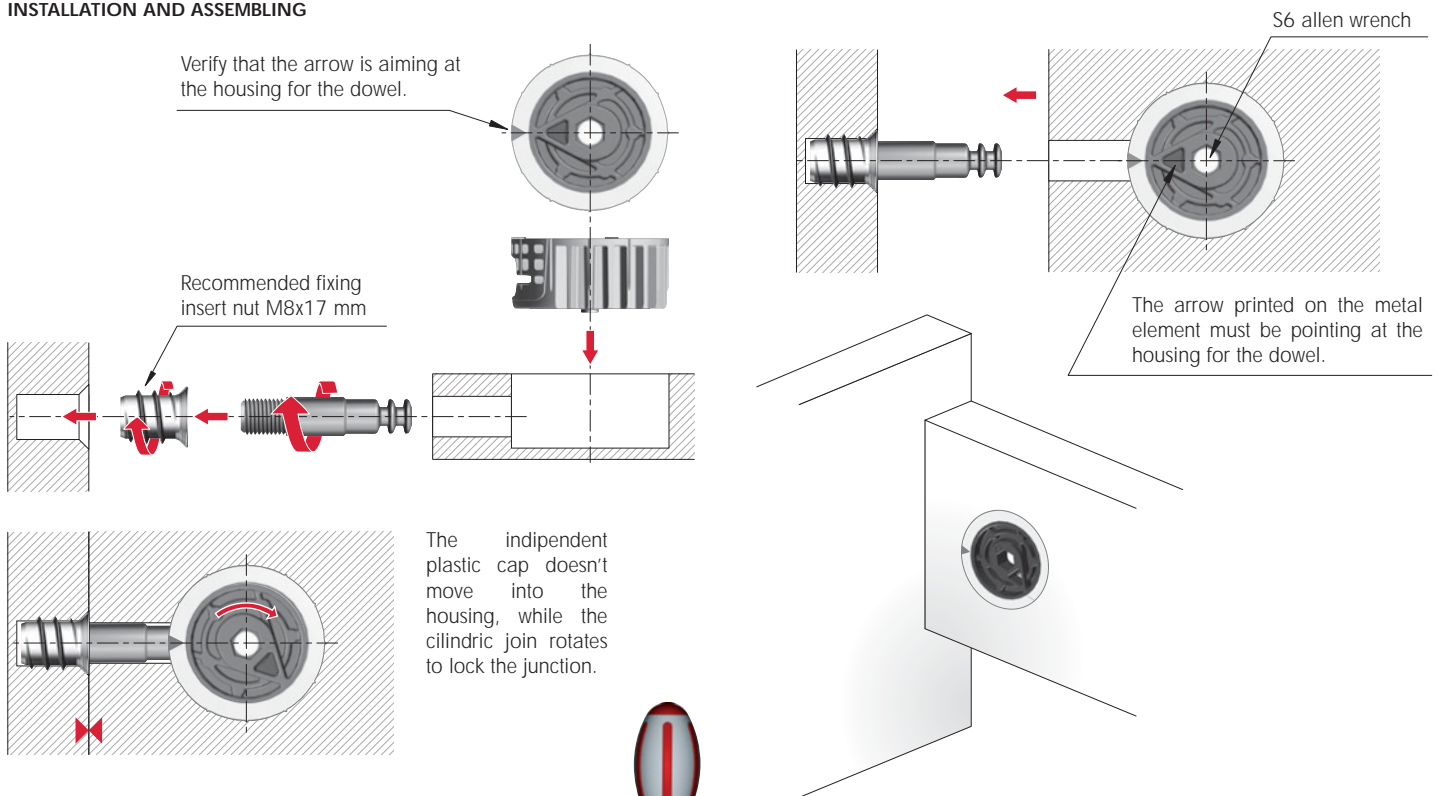
SPIRAL LOCK can be mounted on relatively thin panels, with a minimum thickness of 19mm. The locking function can be carried out with an exagonal S6 key or even faster with a cordless screwdriver. The fastening travel is minimum 5 mm.

SPIRAL LOCK is also conceived for installation through automatic machinery.

19 mm min.

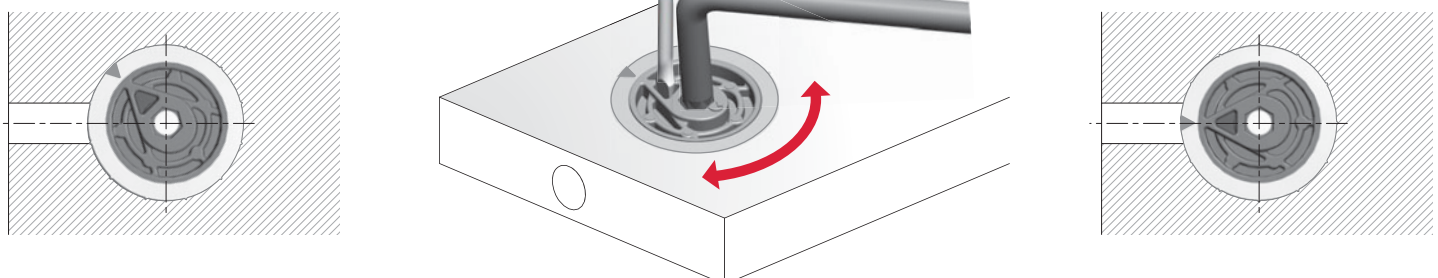


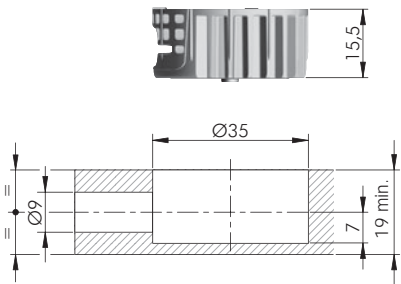
INSTALLATION AND ASSEMBLING



SOLUTION TO A WRONG INSERTMENT

THE ARROW ON THE METAL ELEMENT IS NOT ALIGNED WITH THE HOUSING FOR THE DOWEL





= 19 mm min.



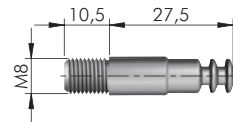
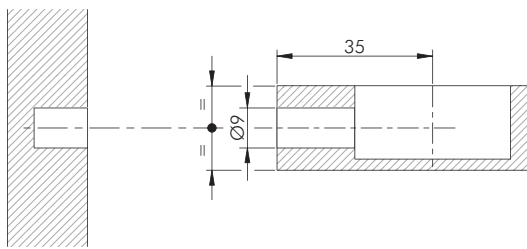
= S6



= 300 pcs.



2162402000



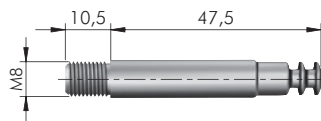
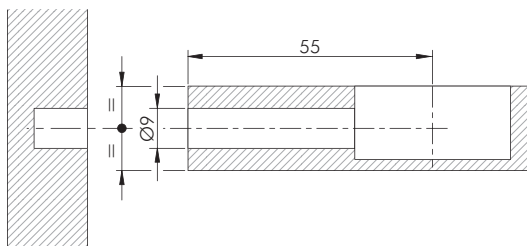
= M8



= 1000 pcs.



21624030ZN



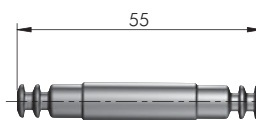
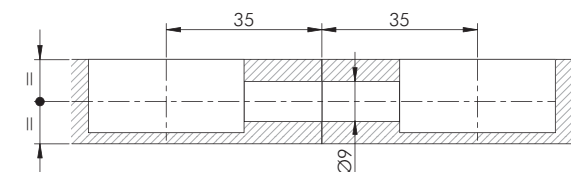
= M8



= 600 pcs.



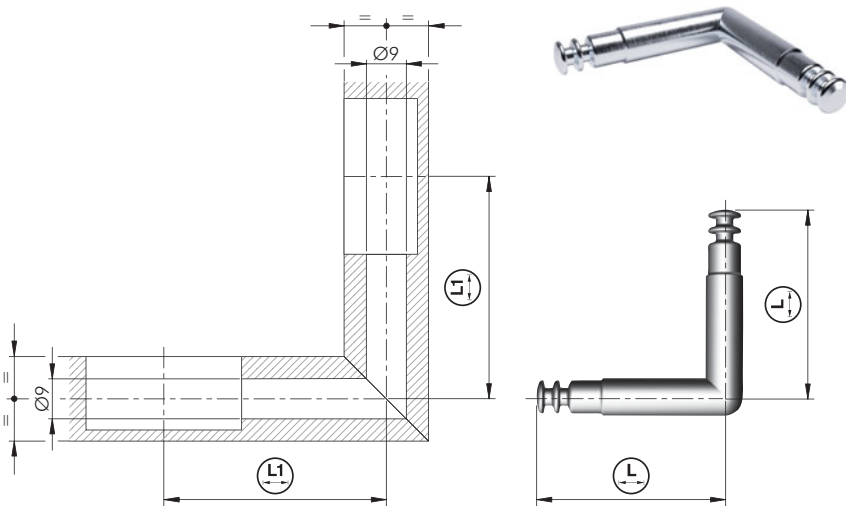
21624050ZN



= 800 pcs.

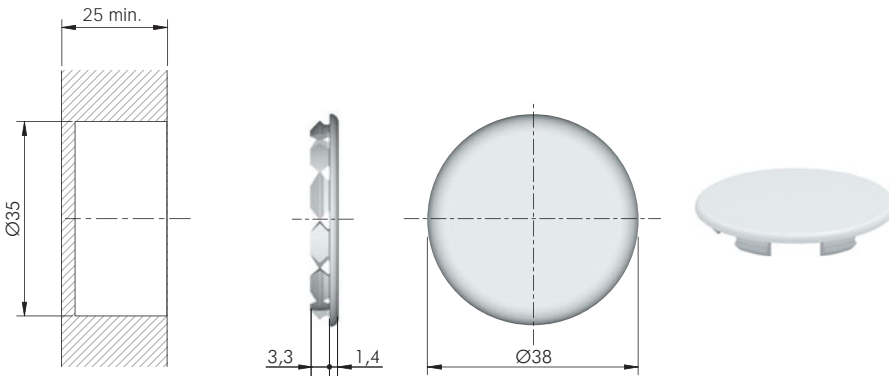


21624070ZN



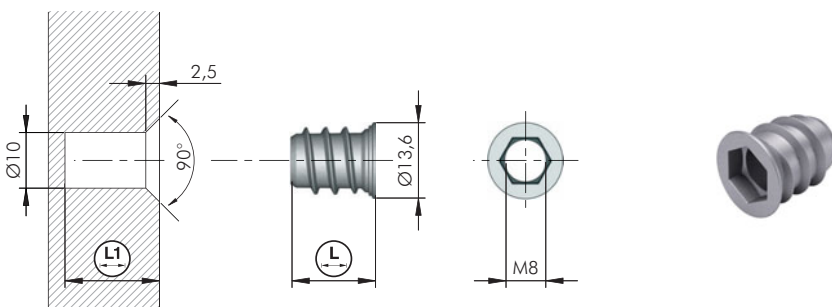
ST			
21624080ZN	42,5	50	400
21624090ZN	62,5	70	200

SPIRAL LOCK ACCESSORY



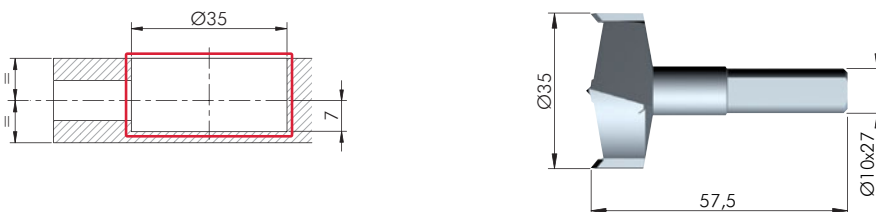
	= Ø 35 mm	+
EP		= 5000 pcs.
23011010AB		

SPIRAL LOCK FIXING ACCESSORY



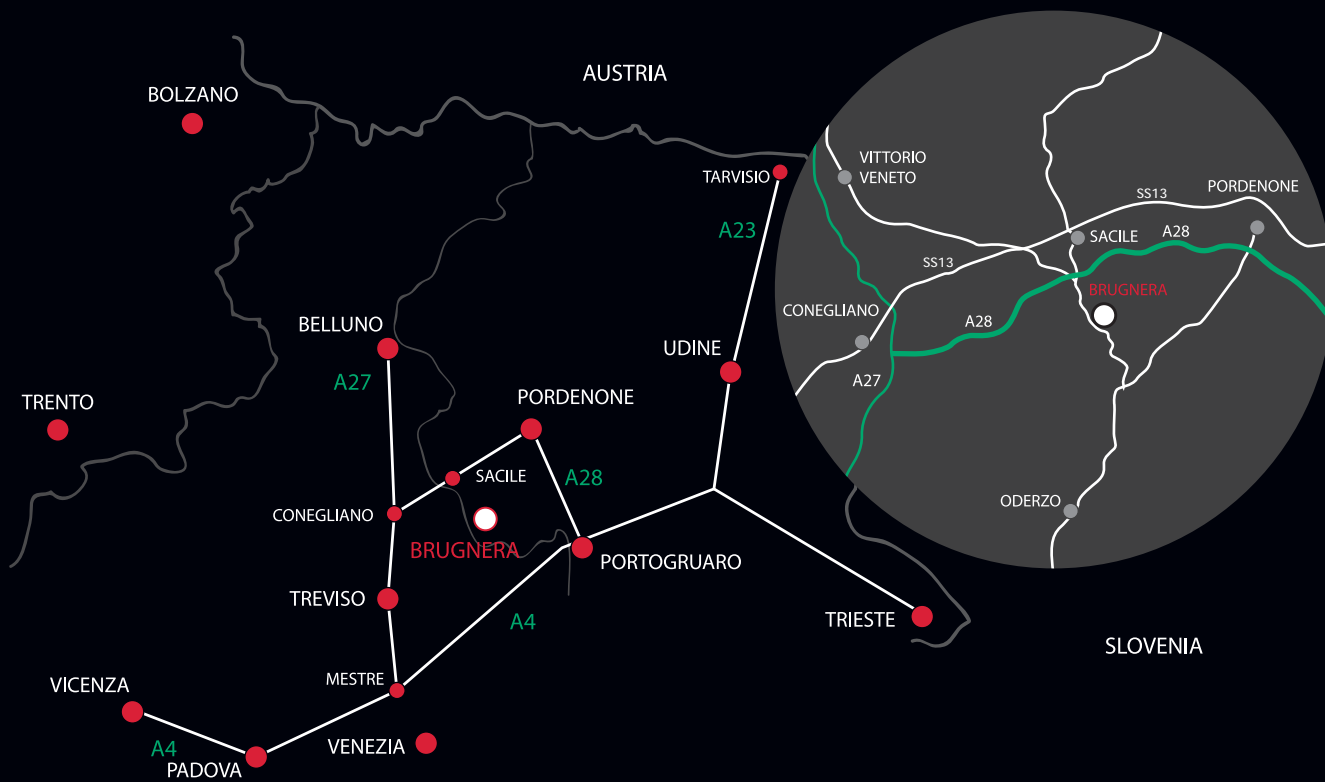
	= Ø 10 mm	= M8	+
	= S8		
ZA			
20103010GR	15	17	4000

DRILL BIT FOR SPIRAL LOCK



HSS	= on request
3175201000	





www.italianaferramenta.it