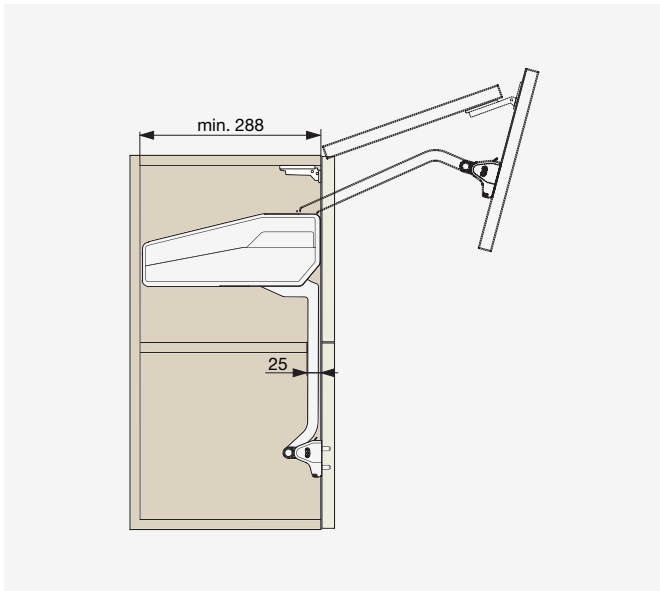


● FREEfold



Cabinet height [mm]	Door weight* [kg]	Code
580 - 650	4.3 - 8.8	F008122
650 - 730	3.9 - 7.9	F008126
	5.8 - 11.6	F008127
	9.5 - 18.7	F008128
710 - 790	3.5 - 7.2	F008129
	5.2 - 10.3	F008130
770 - 840	8.7 - 17.2	F008131
	4.9 - 9.8	F008133

* Door weight includes handle weight

Door weight calculation:

$\text{Thickness [m]} \times \text{Width [m]} \times \text{Length [m]} \times \text{Material density} = \text{Door weight [kg]}$

Material density [kg/m ³]	
Chipboard	MDF
680	760