

LEVINA

5377PJP100P50 gray

EAN 4031582498851

Swivel castor with total lock, tail end of castor, housing and wheels made from high grade synthetic materials, double ball bearing swivel head, plate fitting. Wheel centre made of Polypropylene, Tread: TENTEprene (thermoplastic rubber), grey non-marking, precision ball bearing
Hint: These castors are also with grey locking lever available.



BETTER MOBILITY. BETTER LIFE.

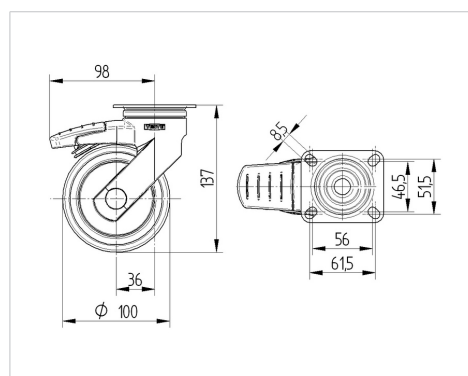


Picture may differ from original product

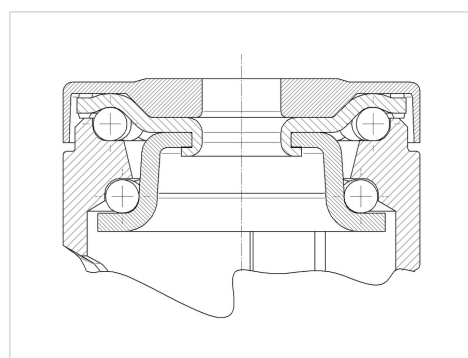
Technical Data

Wheel diameter	100 mm
Wheel width	32 mm
Castor width	59 mm
Size of Plate	77 x 67 mm
Plate hole centres	61,5/56 x 51,5/46,5 mm
Plate hole	8,5 mm
Dome-Ø	59 mm
Offset	36 mm
Swivel Interference	196 mm
Overall height	137 mm
Temperature	- 10 / + 40 °C
Standard	EN_12530
Weight	0.516 kg
Swivel Radius	98 mm
Hardness of tread	Shore A 87
Load capacity	100 kg
Load capacity (static)	200 kg

Dimensions



Structure & Mounting



Advantages at a glance

Roll performance	● ● ● ○ ○
Movement noise	● ● ● ● ○
Attrition	● ● ● ○ ○
Corrosion resistance	● ● ● ● ○

LEVINA

5377PJP100P50 gray

EAN 4031582498851



BETTER MOBILITY. BETTER LIFE.

Structure & Mounting

